

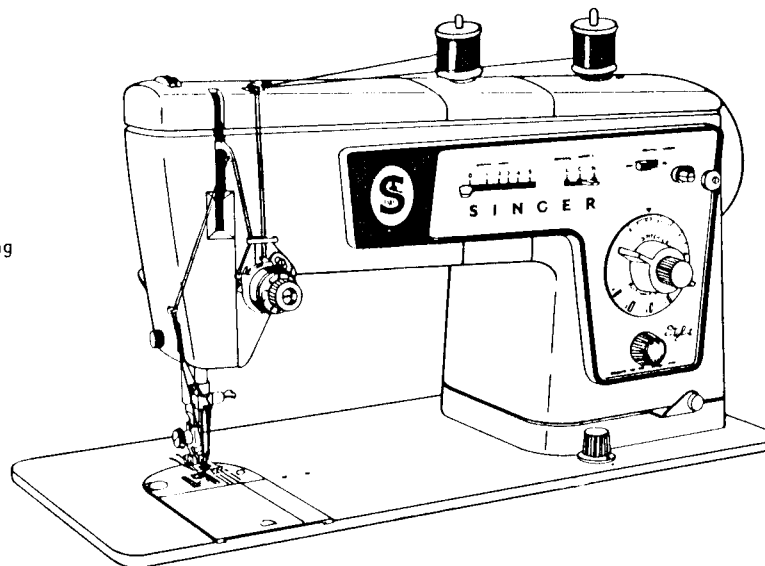
SINGER
478K

Parts Chart for SINGER* 478K Class Machines

ATTACHMENTS AND ACCESSORIES

Attachment Set No. 161965

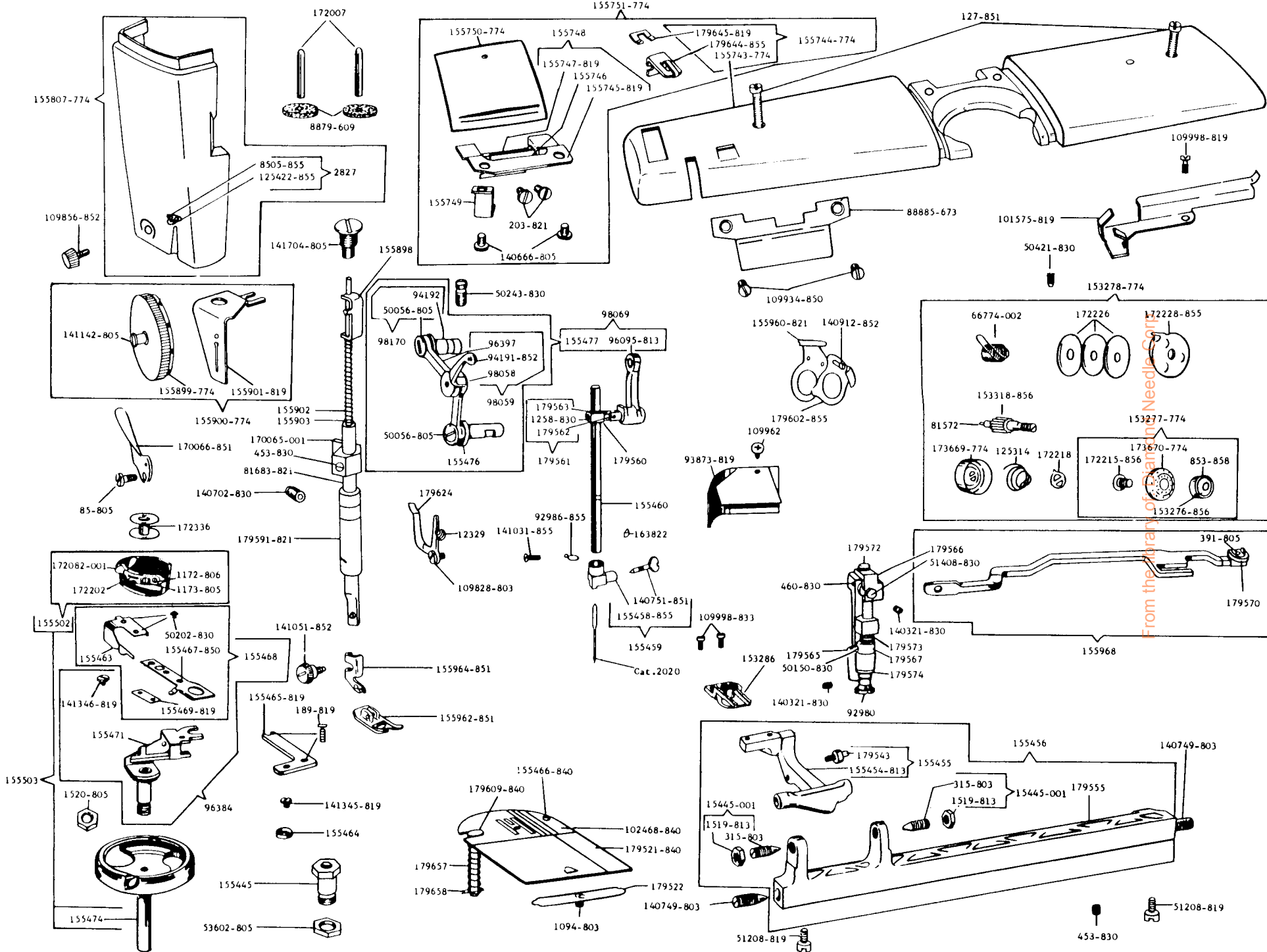
- Attachment Box (Cardboard)
- Cat. 2020 Needle (15x1) Size 14(3)
- Cat. 2028 Twin Needle, Size 14 (1)
- 153267 Presser Foot Plate (snap-on) for Straight Stitching
- 161127 Presser Foot (hinged, adjustable for sewing either on the right or left side of needle) for cording and slide fasteners
- 161172 Seam Guide Complete
- 161295 Screwdriver (small)
- 161455 Presser Foot for Applique Work
- 161609 Tube of Oil (Textless)
- 161927 Presser Foot Plate (snap-on) for Buttonhole Stitching
- 161946 Throat Plate for Straight Stitching
- 161963 Blindstitch Guide
- 172336 Bobbin - Plastic (3)
- 189648 Presser Foot for Button Sewing
- 276301 Disc No. 1, Zigzag (supplied in the machine)
- 276302 Disc No. 2, Multi-Stitch Zigzag
- 276303 Disc No. 3, Blind Stitch
- 276305 Disc No. 5, Arrowhead
- 276306 Disc No. 6, Domino Stitch
- 276308 Disc No. 8, Solid Scallop St'itch
- 276309 Disc No. 9, Icicle Stitch
- 276310 Disc No.10, Banner Stitch
- 276312 Disc No.12, Walls of Troy Stitch
- 276313 Disc No.13, Solid Diamond Stitch
- 276319 Disc No.19, Ball Pattern Stitch
- 276321 Disc No.21, Thunderbird Stitch
- 276323 Disc No.23, Solid Pyramid St'itch
- 276326 Disc No.26, Block St'itch
- 276331 Disc No.31, Crescent St'itch



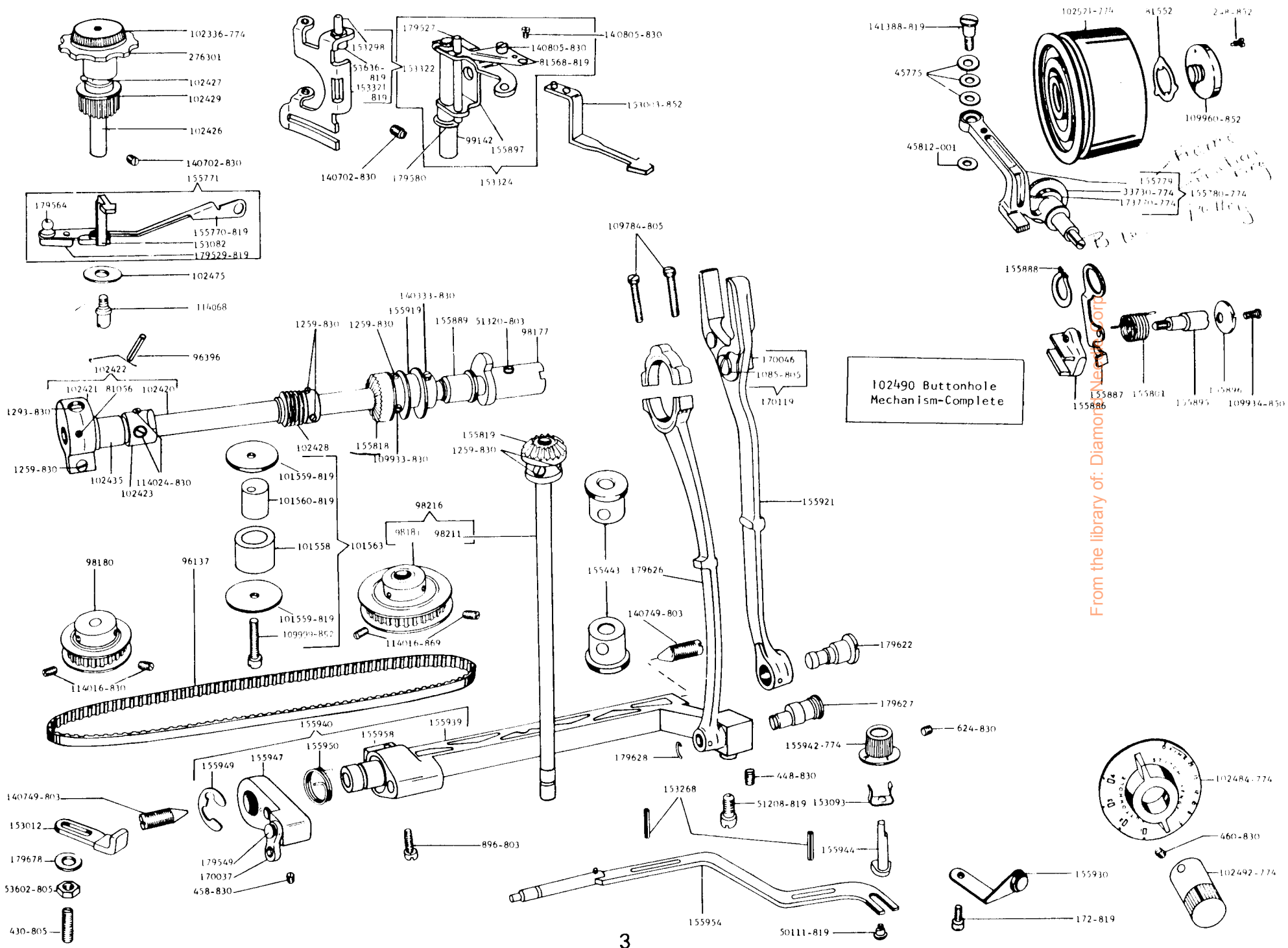
From the library of: Diamond Needle Corp

* A Trademark of THE SINGER COMPANY

MACHINE NO. 478K



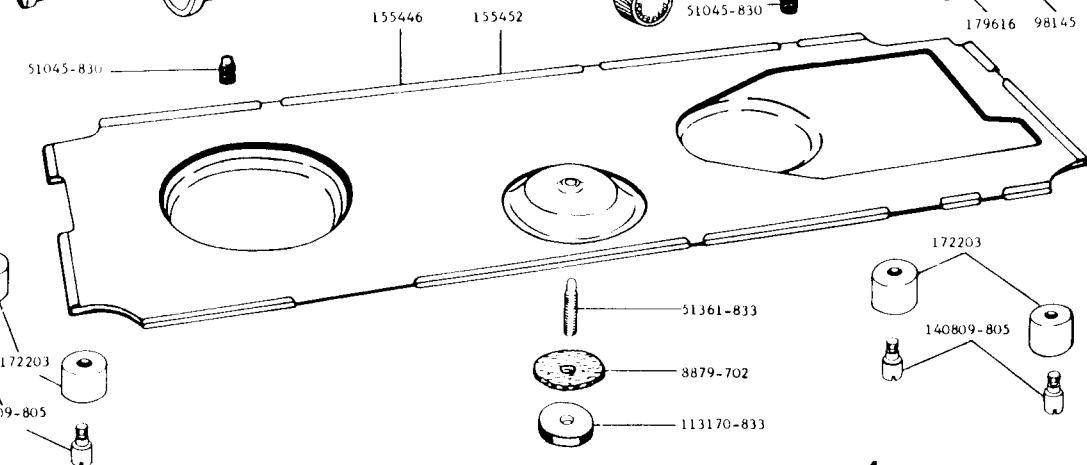
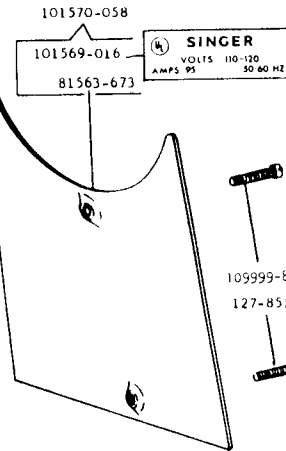
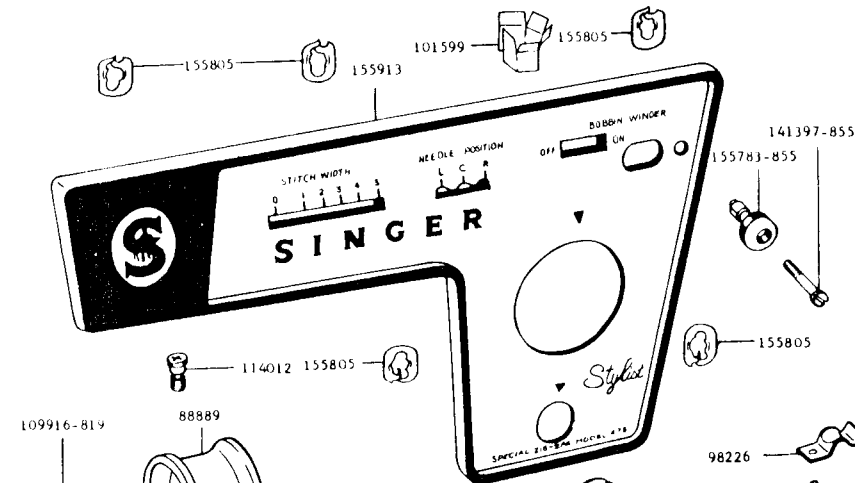
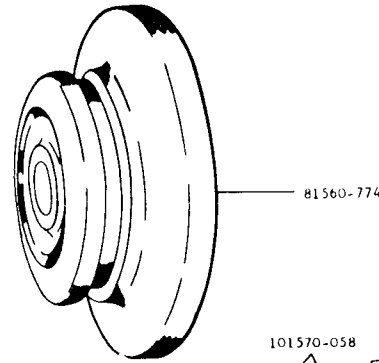
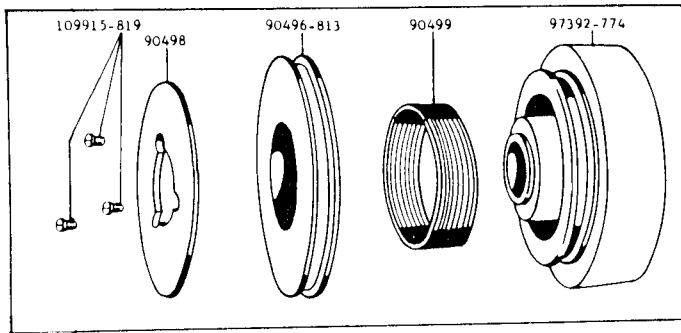
MACHINE NO. 478K



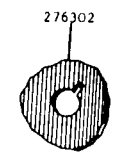
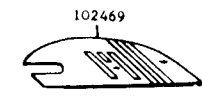
102490 Buttonhole Mechanism-Complete

From the library of: Diamond Needle Corp.

MACHINE NO. 478K



161965



FOR OTHER DISCS SEE PARTS LIST SECTION

